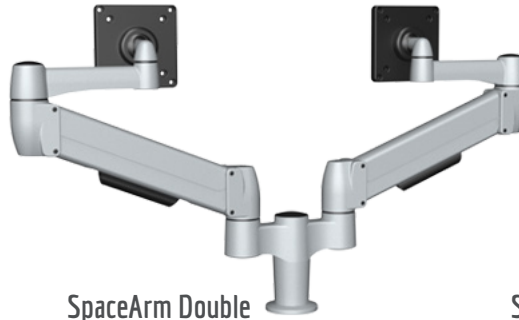


SPACEARM STANDARD MONITOR ARM SOLUTIONS

—○ The SpaceArm provides ergonomic and usable workspace by supporting flat panel display screens and laptops off the work surface. SpaceArm allows you to quickly and easily move your screen to the most ergonomically appropriate positions. Our patented “Hub & Spoke” system provides modularity for ease of reconfiguration.



Standard Sit Stand
SA01



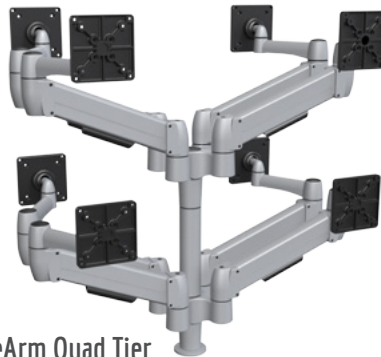
SpaceArm Double
SA02



SpaceArm Single Two Tier
SA11



SpaceArm Quad
SA04



SpaceArm Quad Tier
SA44



SpaceArm Double Tier
SA22



All arms above are shown with direct VESA mount plate. Quick Change (QC) mount plate is optional and shown here.

Environmental Design Attributes —○

SpaceArm:

- Recycled content of aluminum - 100%
- Recyclable aluminum after use - 100%

Cardboard Packaging:

- Recycled content - 20%
- Recyclable after use - 100%

Pulp Tray:

- Recycled content - 100%
- Recyclable after use - 100%

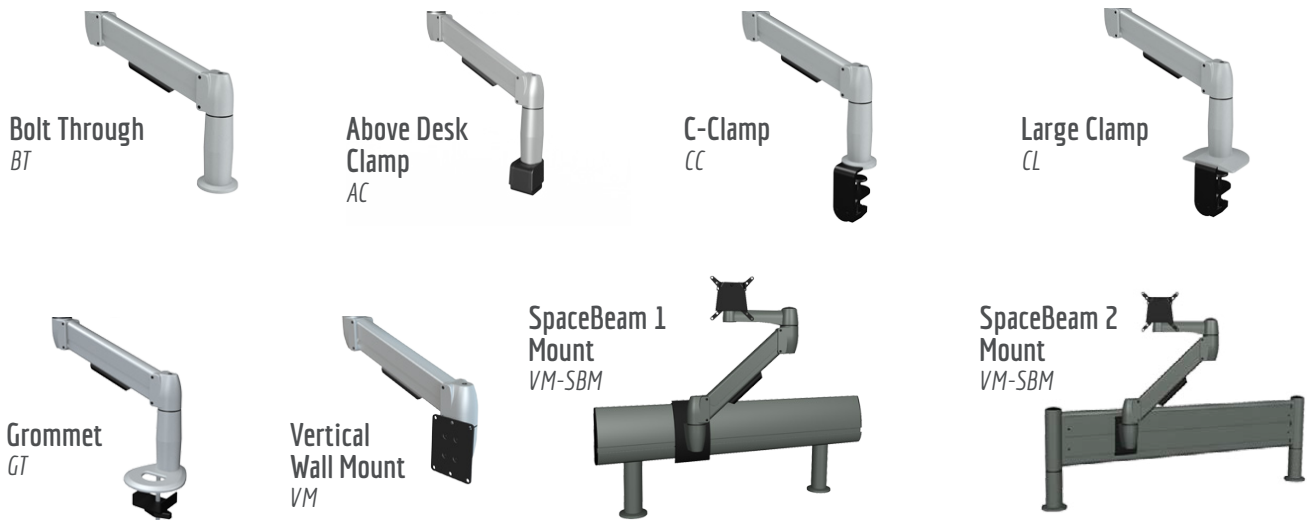
Plastic Packaging:

- Low density polyethylene
- Recycled content - 30%
- Recyclable after use - 100%

Benefits —○

- Security - Keep your monitors and hardware safe with anti-theft features.
- Storage - Keep monitors up and out of the way to increase work flow area.
- Organization - Easy access and alignment for multiple monitor or laptop applications.
- Ergonomic - A wide range of adjustments puts your monitor in the most ergonomic position for your needs.
- Space - Increases space efficiencies by positioning the monitor on an arm. This makes more space useable.
- Technology - As your technology needs change, so will the SpaceArm—it is flexible and adaptable.
- Environment - Sustainability is an inherent design feature.

MOUNTING OPTIONS



We also carry a number of Vertical Mounts from manufacturers such as Steelcase, Allsteel, Haworth, Teknion, Knoll, Herman Miller, DIRTT and others. To learn more, please visit our website.

COLOR OPTIONS



Technical Specs

- Thermo-fused polyester finish
- High pressure die-cast aluminum construction
- 5-axis position adjustment
- Conforms to VESA 75mm x 75mm, 100mm x 100mm and 100mm x 200mm mounting patterns
- 40 degrees of tilt (20 degrees+/20 degrees-)
- 360 degree monitor rotation
- 360 degree arm rotation
- 2.5" (63.5mm) depth in the folded position
- 4" (355.6mm) of travel (7" + (177.8mm) above the center of hub and 7" (177.80mm) - below the center of hub)
- Gas spring standard 5-16lbs (2.67kg - 7.25kg)
- Gas spring options, 2-10lbs (.90kg - 4.53kg) and 15-32lbs (6.8kg-14.51kg)
- Quick Change Mount and Direct Mount for monitor application
- Mounts available: Bolt through, C-Clamp, Large C-Clamp, Grommet, Single Resolve, Double Resolve, Race, Wall, Column, SpaceBeam 1, SpaceBeam 2, Adjustable Slatwalls and a multitude of panel system brackets.